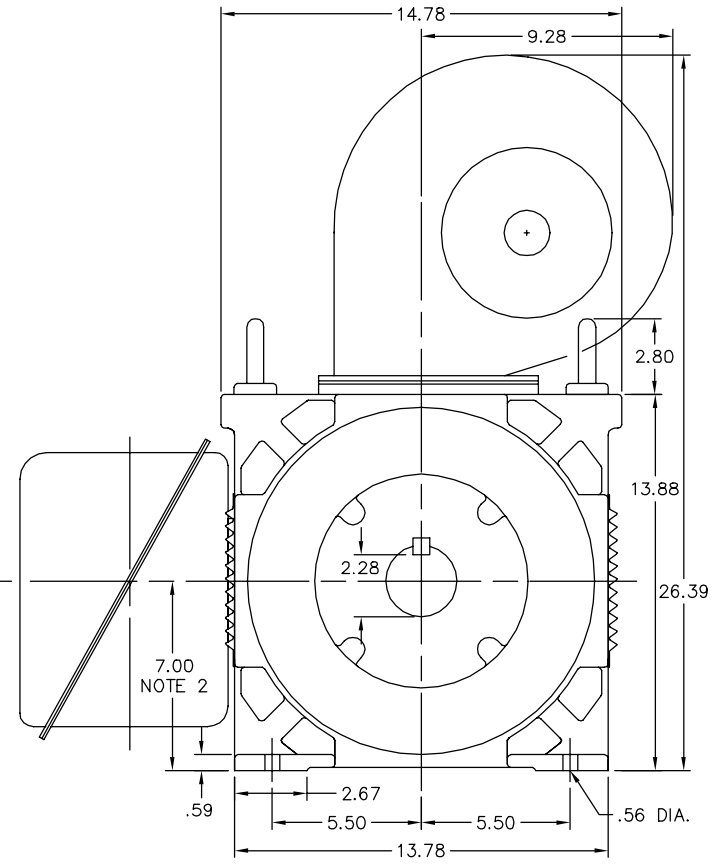
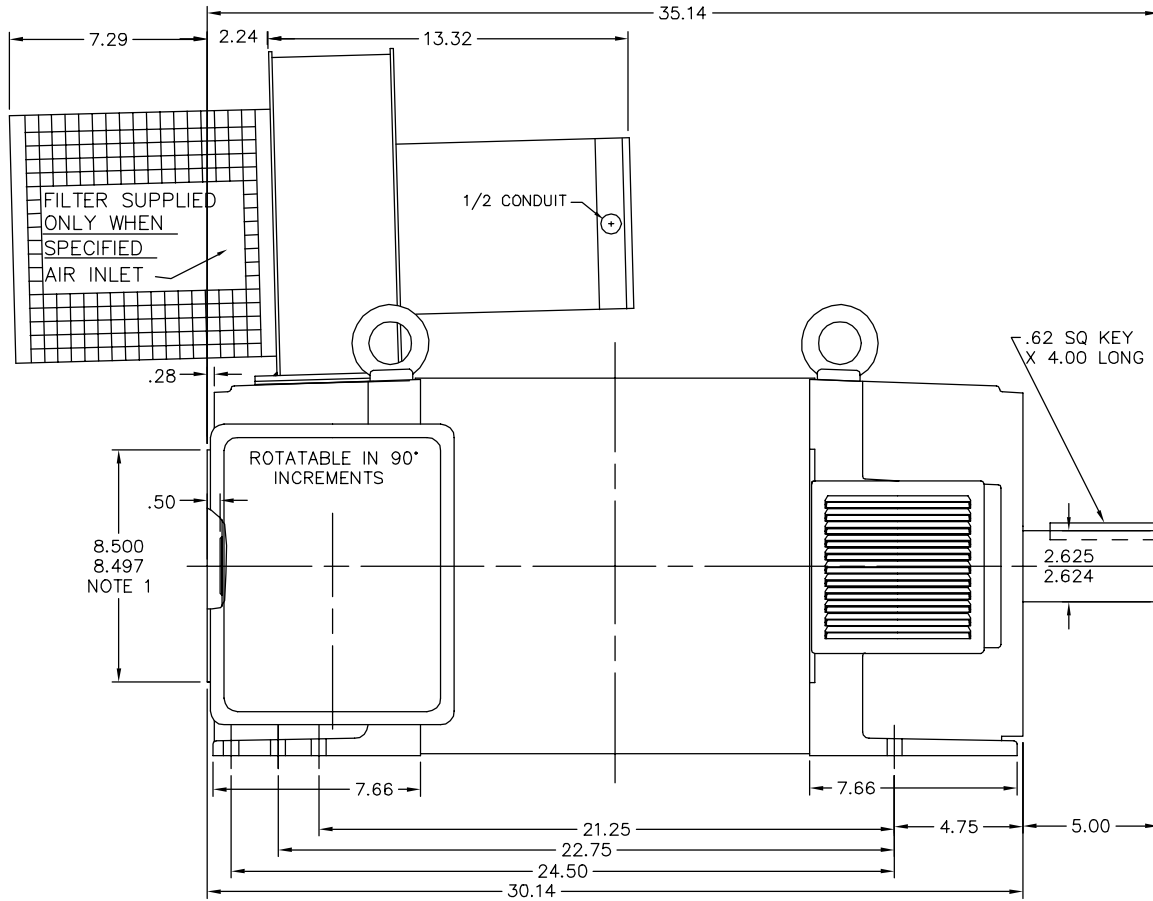


617249-001

ENCLOSURE: DRIP PROOF  
 MOUNTING: FOOT  
 DRIVE METHOD: COUPLED OR BELTED

# RPMAC VARIABLE SPEED ALTERNATING CURRENT MOTOR RL2898Z/URL2898

COOLING: FORCE VENTILATED  
 ACCESSORIES: PROVISIONS FOR  
 TACHOMETER MOUNTING  
 ONLY WHEN SPECIFIED



DIMENSIONS ARE IN INCHES SCALE 1:1

NOTE 1 TACHOMETER MOUNTING  
 1/2-13 TAP, .88 DEEP, ON A 7.25 DIA. BOLT CIRCLE  
 FACE RUNOUT AND ECCENTRICITY .004 MAX. T.I.R.

NOTE 2 SHAFT HEIGHT WILL NOT BE EXCEEDED.  
 SHIMS UP TO .03 INCHES IN THICKNESS ARE USUALLY  
 REQUIRED FOR COUPLED OR GEARED MACHINES.

TERMINAL BOX MAY BE LOCATED F1 OR F2 IF SPECIFIED  
 305 AMP STEEL TERMINAL BOX SHOWN  
 REFER TO 616779-50 FOR SPECIFIC TERMINAL BOX DIMENSIONS  
 REFER TO 616779-51 FOR SPECIFIC TACHOMETER DIMENSIONS  
 MOTOR WEIGHT 930 LBS. (MAY VARY 15%)

CUSTOMER IS RESPONSIBLE FOR DETERMINING THAT BALDOR'S PRODUCT WILL PERFORM SUITABLY IN THE INTENDED APPLICATION.

|                                     |                              |                   |
|-------------------------------------|------------------------------|-------------------|
| REV. DESC: ADD FRAME URL2898 TO D/S |                              |                   |
| REV. LTR: C                         | VERSION: 03                  | TDR: 000000737252 |
| FILE: \RGG\00003\848                | REVISED: 07:54:08 03/08/2012 | BY: RGGWT         |
| MTL: -                              |                              |                   |

**BALDOR**

DIM SHT RL2898Z RPM AC DPFV PROV FOR TACH FT MTG

SH 1 of 1

617249-001